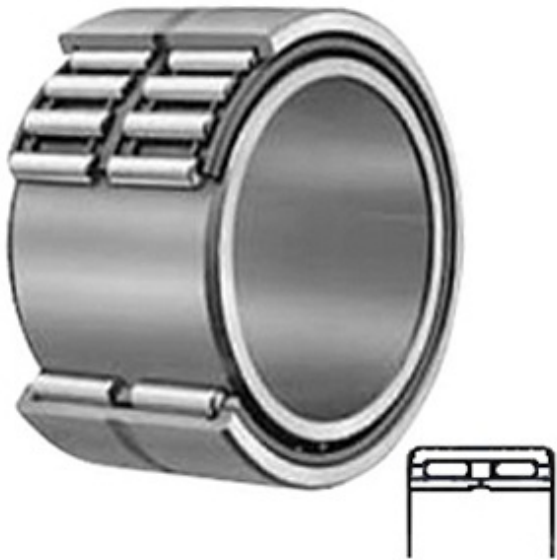




NTN Bearing de Mexico, S.A.



2.756 Inch | 70 Millimeter x 3.937 Inch | 100
Millimeter x 2.126 Inch | 54 Millimeter KOYO
NA6914A Needle Non Thrust Roller Bearings

Bearing No. NA6914A

| | |
|---------------------------|--|
| Category | Needle Non Thrust Roller Bearings |
| Inventory | 0.0 |
| Manufacturer Name | KOYO |
| Minimum Buy Quantity | N/A |
| Weight | 1.45 |
| EAN | 0060579018768 |
| Product Group | B04144 |
| Rolling Element | Needle Roller Bearing |
| Component | Complete with Outer and Inner Ring |
| Enclosure | Open |
| Self Aligning | No |
| Retainer | Yes |
| Number of Rows of Rollers | Double Row |
| Separable | Inner Ring - Both Sides |
| Closed End | No |
| Inch - Metric | Metric |
| Relubricatable | Yes |
| Thrust Bearing | No |
| Long Description | 70MM Bore; 100MM Outside Diameter; 54MM Width; Needle Roller Bearing; Complete with Outer and Inner Ring; Open Enclosure; No Self Aligning; Retainer; Double |

NA6914A Bearing 2D drawings and 3D CAD models



NTN Bearing de Mexico, S.A.

| | |
|--------------------------|---|
| | Row of Rollers; Inner Ring - Both Sides Sep |
| Other Features | Plain Inner Ring 2 Rib Outer Ring Steel Cage Oil Hole |
| Category | Needle Non Thrust Roller Bearing |
| UNSPSC | 31171512 |
| Harmonized Tariff Code | 8482.40.00.00 |
| Noun | Bearing |
| Keyword String | Needle |
| Manufacturer URL | http://www.koyousa.com |
| Manufacturer Item Number | NA6914A |
| Weight / LBS | 3.197 |
| B | 2.126 Inch 54 Millimeter |
| d | 2.756 Inch 70 Millimeter |
| D | 3.937 Inch 100 Millimeter |