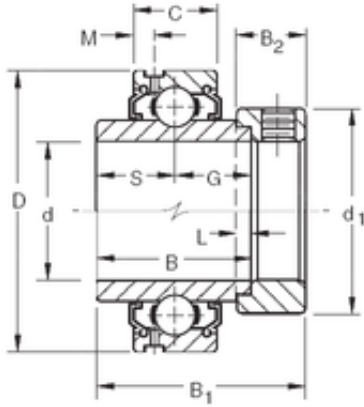




NTN Bearing de Mexico, S.A.

22,225 mm x 52 mm x 34,92 mm TIMKEN G1014KLL Insert Bearings Cylindrical OD



Bearing No. G1014KLL

Size	22.225x52x34.92 mm
Bore Diameter	22,225 mm
Outer Diameter	52 mm
Width	34,92 mm
d	22,225 mm
D	52 mm
B	34,92 mm
C	15 mm
d1	38,1 mm
B1	44,45 mm
B2	13,5 mm
G	17,5 mm
L	4 mm
M	3,86 mm
S	17,5 mm
Weight	0,263 Kg
Basic dynamic load rating (C)	15,8 kN

G1014KLL Bearing 2D drawings and 3D CAD models